

MOTOR SPECIFICATION SHEET

MODEL : SF-JRV 7.5HP 6P (HT)

USED FOR : STANDARD

| DESCRIPTION | DETAIL | | | | |
|----------------------------------|-----------------------------------------------------|---------------------------------------|------|------|--|
| PHASE | 3 | | | | |
| MODEL NAME | SF-JRV | | | | |
| RATED OUTPUT, HP (kW) | 7.5 (5.5) | | | | |
| POLE | 6 | | | | |
| CODE | MEATH CODE : 1M002V-600550LFND0 | | | | |
| OUTLINE DRAWING NO. | OMM24O159-B | | | | |
| RATED VOLTAGE (V) | 380 | 415 | 380 | 440 | |
| RATED FREQUENCY (Hz) | 50 | 50 | 60 | 60 | |
| RATED CURRENT (A) | 12.8 | 13.0 | 12.1 | 11.5 | |
| RATED SPEED (min ⁻¹) | 950 | 960 | 1140 | 1150 | |
| THERMAL CLASS | 155(F) | | | | |
| RATING | S1 (CONTINUOUS) | | | | |
| ENCLOSURE CONSTRUCTION | TOTALLY ENCLOSED FAN COOLED | | | | |
| DEGREES OF PROTECTION | IP55 | | | | |
| METHOD OF COOLING | IC411 | | | | |
| FRAME NO. | 132M | | | | |
| WEIGHT (kg) | 68 | | | | |
| STANDARD | IEC 60034-1, JEC-2137-2000 | | | | |
| INSTALLATION | FLANGE MOUNTED (VERTICAL) | | | | |
| ROTATION | CCW (VIEWED FROM SHAFT END) | | | | |
| BEARING | LOAD SIDE | : 6308ZZ | | | |
| | OPPOSITE SIDE | : 6207ZZ | | | |
| BEARING GREASE | UREA GREASE | | | | |
| NOISE (db.A) | 68 | | | | |
| VIBRATION | V10 | | | | |
| CIRCUMSTANCE | AMBIENT TEMPERATURE : -20 ~ +40°C | | | | |
| CONDITION | AMBIENT HUMIDITY : 95%RH OR LESS | | | | |
| | ABOVE SEA LEVEL : 1000m OR LESS | | | | |
| | ENVIRONMENT : NO BURSTING/EROSIVE GAS OR VAPOR | | | | |
| COLOR | MUNSELL N5.5 (GRAY) | | | | |
| TERMINAL BOX | NO. OF LEAD WIRES | : 6 | | | |
| | SOURCE CONNECTION | : TERMINAL BLOCK | | | |
| INSULATION RESISTANCE | BY DC 500V MEGGER - ≥100MΩ | | | | |
| DIELECTRIC TEST | AC 50Hz 1800V - 1min. (Based on rated voltage 380V) | | | | |
| SHAFT SWING | ≤0.03mm | | | | |
| MATERIAL | FRAME | : STEEL PLATE | | | |
| | BRACKET LOAD SIDE | : CAST IRON (FLANGE) | | | |
| | OPPOSITE SIDE | : ALUMINIUM | | | |
| | SHAFT | : CARBON STEEL | | | |
| | STATOR CORE | : ELECTRICAL STEEL | | | |
| | WIRE | : ENAMELLED COPPER MAGNET WIRE | | | |
| | INSULATOR | : POLYESTER FILM SATURATED WITH RESIN | | | |
| | VARNISH | : EPOXY DENATURALIZATION POLYESTER | | | |
| | ROTOR CORE | : ELECTRICAL STEEL | | | |
| | CONDUCTOR | : ALUMINIUM | | | |
| | TERMINAL BOX | : STEEL PLATE | | | |
| | PAINTING | : POLYURETHANE RESIN | | | |
| PRODUCTION COUNTRY | THAILAND | | | | |

Specifications subject to change without notice.

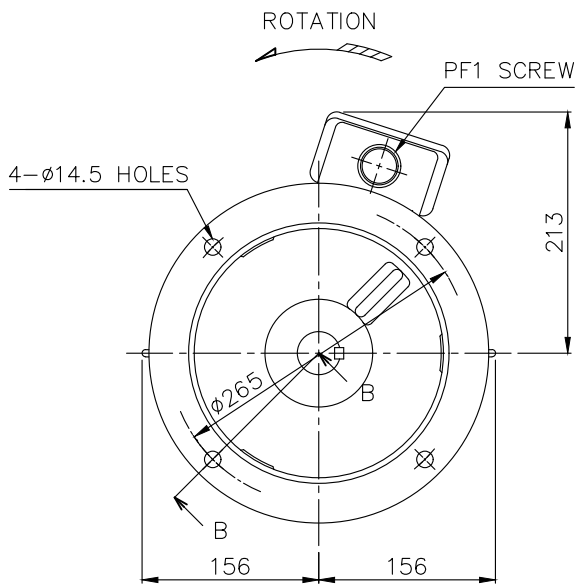
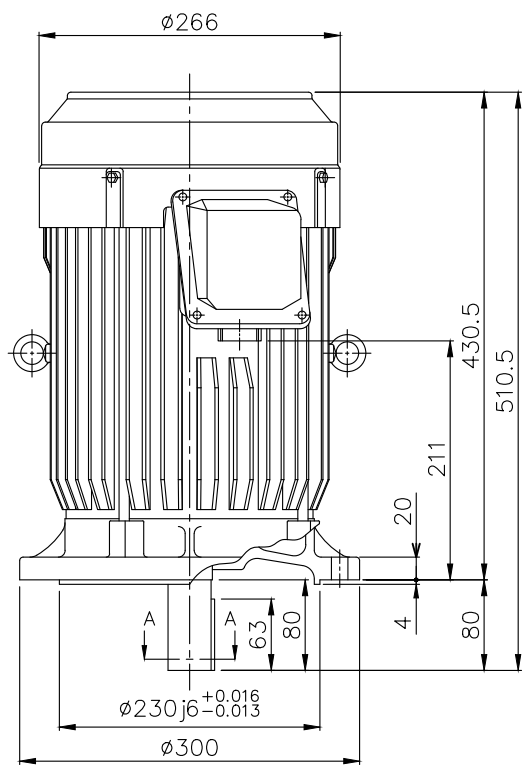
SPECIFICATION SHEET NO.

SS-M-2291-A

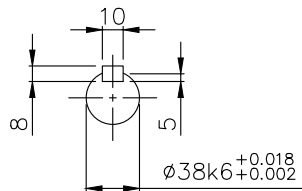
MODEL SF-JRV THREE PHASE INDUCTION MOTOR OUTLINE DRAWING

TOTALLY ENCLOSED FAN COOLED
 DEGREES OF PROTECTION IP55
 DUST & WATER JET PROOF

CUSTOMER _____
 USER _____
 FOR _____
 CUSTOMER'S ORDER NO. _____
 QUANTITY _____
 MFG. ORDER NO. _____



BOTTOM VIEW OF SHAFT END

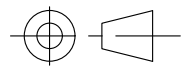


SECTION A-A

| YOUR ORDER | FRAME SIZE | RATING | TH. CLASS | AMB. TEMP. | BEARINGS | | COLOR | DIRECTION OF ROTATION (VIEWED FROM SHAFT END) | NO. OF LEAD WIRES | REMARKS |
|------------|------------|------------|-----------|------------|-----------|-----------|---------------------|-----------------------------------------------|-------------------|---------|
| | | | | | LOAD SIDE | OPP. SIDE | | | | |
| | 132M | S1 (CONT.) | 155(F) | 40°C | 6308ZZ | 6207ZZ | GRAY (MUNSELL N5.5) | CCW | 6 | |

| YOUR ORDER | OUTPUT | | POLES | VOLT | HERTZ | REMARKS |
|------------|--------|-----|-------|-------------|-------|---------|
| | HP | kW | | | | |
| | 10 | 7.5 | 4 | 220/380/415 | 50 | LT |
| | | | | 220/440 | 60 | |
| | 7.5 | 5.5 | 6 | 220/380/415 | 50 | LT |
| | | | | 220/440 | 60 | |
| | 10 | 7.5 | 4 | 380/415 | 50 | HT |
| | | | | 380/440 | 60 | |
| | 7.5 | 5.5 | 6 | 380/415 | 50 | HT |
| | | | | 380/440 | 60 | |

MITSUBISHI ELECTRIC AUTOMATION (THAILAND) CO., LTD.



DIMENSION IN mm.

SCALE : NTS

OUTLINE DRAWING NO.

0 M M 2 4 0 1 5 9

REV.

B